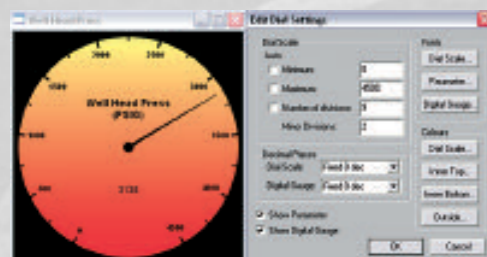
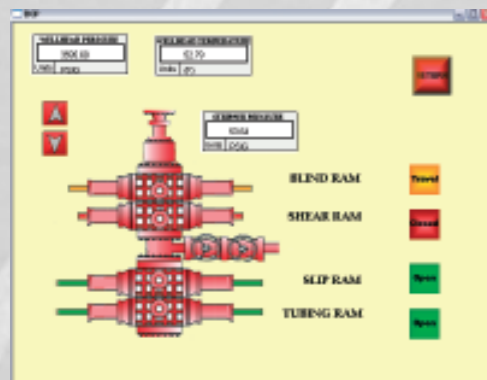




IDEA Software

Software for IDEA *Lite* and
IDEA *Enterprise* Data Loggers



	Enterprise	Lite
Set Logger Clock	•	•
Set PC Clock	•	•
Channel Configuration	•	•
Separator Configuration Single Vessel	•	•
Separator Configuration Multiple Vessels	•	•
External Metering Liquids	•	•
External Metering Gas	•	•
Internal Alarms	•	•
External Alarms	•	•
Gas Setup	•	•
Oil Setup	•	•
Water Setup	•	•
Depth Setup	•	•
Surface Drilling Fluid Calculator	•	•
Custom Macro	•	•
ASCII Input	•	•
Modbus	•	•
Wits	•	•
Wits Status	•	•
Wocs	•	•
Log to Disk	•	•
Log to real Time Printer	•	•
Header	•	•
Special Values	•	•
Calculation Control	•	•
Random Number Simulation	•	•
Operator Message	•	•
Private Message	•	•
Units Setup	•	•
Cascade	•	•
Tile Horizontal	•	•
Tile Vertical	•	•

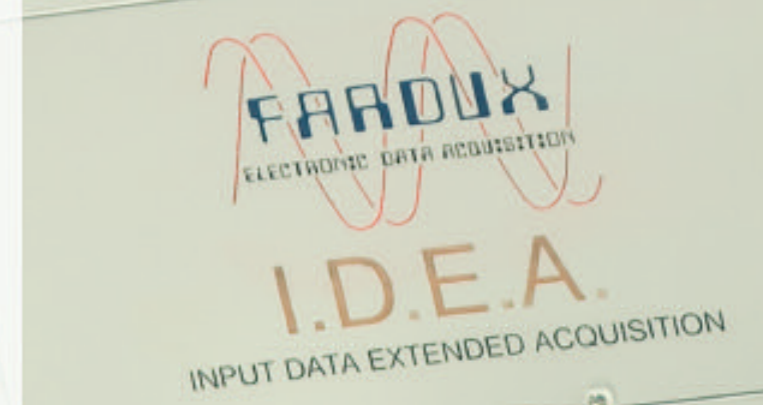


IDEA Software

Software for IDEA *Lite* and
IDEA *Enterprise* Data Loggers

The IDEA Software suites designed for the Fardux range of Data Loggers are true 32 Bit M.S. Windows applications. For users who are Windows familiar, learning to use our programmes is normally a straight-forward task. The Host Computer is the platform from which the software communicates with the firmware contained within the logger, receiving and transmitting data as controlled by the user.

All data is stored to disc at operator defined intervals. Simultaneously, operator selected parameters can be printed out in real time and displayed real time on screen plots. The report generator section of the software allows the user to select standard default configurations or custom reports can be operator designed. ASCII exports of all reports or the whole database can be made from within the programme suite. On-screen Hot Spots enable the user to move around the programme suite with ease and to drill down to channel set ups, fluid property analysis, flow rate calculations etc. Data Editing, Zooming, Automatic and Manual sequence of Events Log, Alarm Setting, Channel Reset and Damp are all available from the software suite.

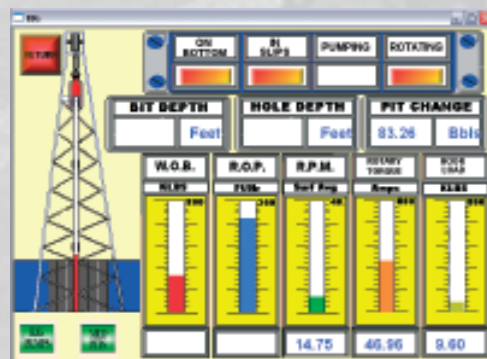
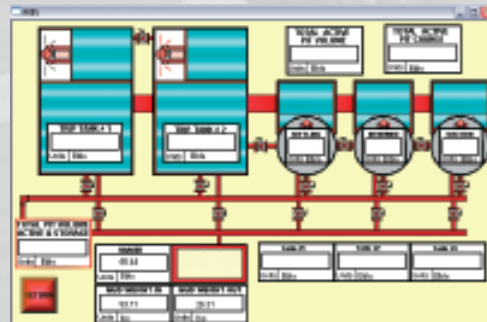
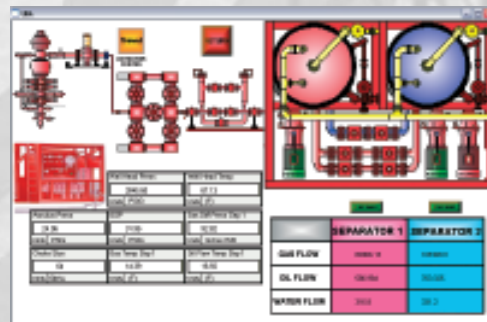




IDEA Software

Software for IDEA *Lite* and
IDEA *Enterprise* Data Loggers

Local Area Networking and Wide Area Networking are all available within the system capabilities. Utilising TCP/IP protocols, logged and real time data can be shared at the location or even off location at a remote office where well site decisions can now be made from your office PC.



- Easy to follow installation software
- Zoom function. Unlimited highlighting to produce the finest detail
- Self-contained programme suite. Plots and reports can be viewed from within the application environment
- Full windows functionality including, browse, cascade, tile and print preview etc.
- Auto scaling of all plots. Manual scaling override
- Calibration of all logged analogue channels via ten point matrix
- Screen application schematics with engineering data pasted to appropriate positions
- ASCII data outputs. Importable into commercially available spreadsheet software
- Choice of engineering units
- Full icon driven functions. Comprehensive tool bar and status bar control
- Real-time plot analysis. Cursor graticule historical information selector
- Alarm level set points internal and external
- Sequence of events. Event log filter for manual and automatic entries

The IDEA Software, although a single installation provides two separate deliveries according to the security dongle attached to the computer.

IDEA Enterprise is the full suite of software complete with extensive high end functionality. The IDEA *Enterprise* Suite is designed to work with 24 channel IDEA *Enterprise* Data Loggers.

IDEA Lite is designed to offer our clients a less expensive software offering with the high end functionality disabled. For smaller jobs the IDEA *Lite* software is all that is required and in combination with the IDEA *Lite* 12 channel Data Logger provides the perfect solution for basic data logging requirements.

Both *Enterprise* and *Lite* software systems function with the Fardux **Mega Memory** flash memory card for backup data or unattended data acquisition jobs.

	<i>Enterprise</i>	<i>Lite</i>
Conditional Schematics	•	
Plots/Trends	•	•
Multiplots	•	
Dial Gauges	•	•
Digital Gauges	•	•
Custom Reports	•	
Gas Flow Report Template		•
Well Test Report Template		•
Liquid Flow Rate Report Template		•
Extended Well Test Report Template		•
Export Report to CSV	•	•
Export All Data	•	•
Edit All Data	•	•
Edit Custom Data	•	•
Topology View	•	•
Schematic View	•	•
Launch Excel	•	•
Setup Directories	•	•
Aga 3	•	•
Aga 8	•	•
Configure Comms Port	•	•
Configure Server IP Address	•	•
Archive Events	•	•
Print	•	•
Print Preview	•	•
Print Setup	•	•
Privilege Level Access	•	•

Continued overleaf

